

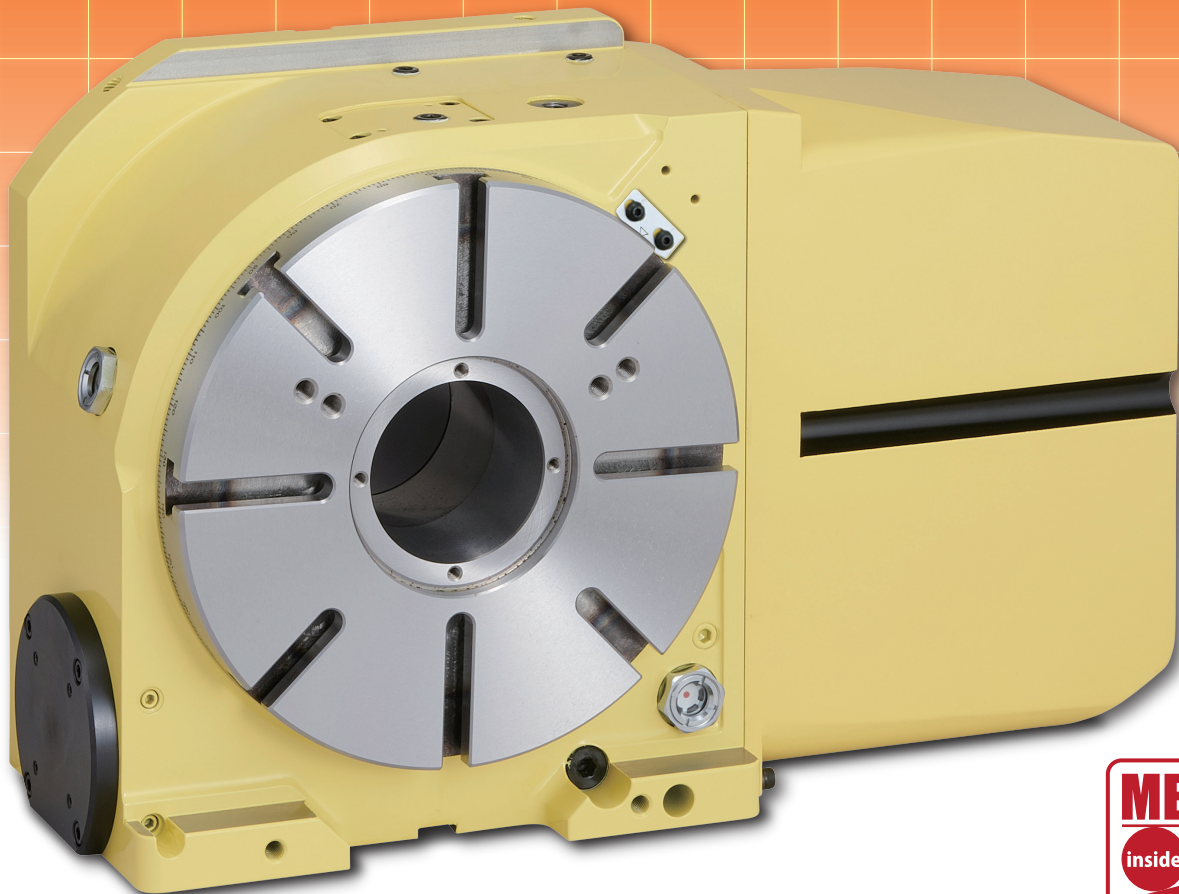
**Super Powerful Pneumatic Clamping System
“ NIKKEN MECHANICAL BOOSTER ” Installed**

CNC ROTARY TABLE

CNC ROTARY TABLE

CNC260P PLUS

1430Nm
**2.4 Times
More Powerful
Than Before**



NIKKEN

NIKKEN KOSAKUSHO WORKS, LTD.
5-1, 1-chome, Minamishinden, Daito-shi, Osaka-fu, Japan

Web: www.nikken-kosakusho.co.jp/en
Tel: +81-(0)72-869-5820 Fax: +81-(0)72-869-6220
e-mail: export@nikken-kosakusho.co.jp

CNC ROTARY TABLE

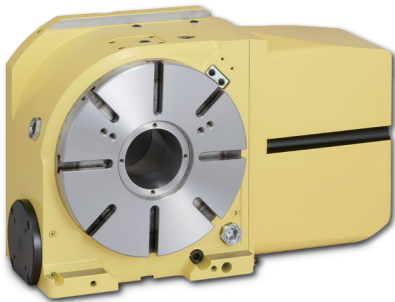
CNC260P

NIKKEN

Clamping torque 1430Nm can be generated by 0.5MPa air supply !!



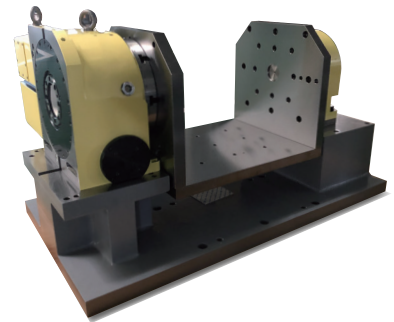
CNC260P is installed the most powerful pneumatic clamping system in NIKKEN history, enabling a variety of application with no hydraulic power source.



Enabled support table (O/P)
TAT-250N



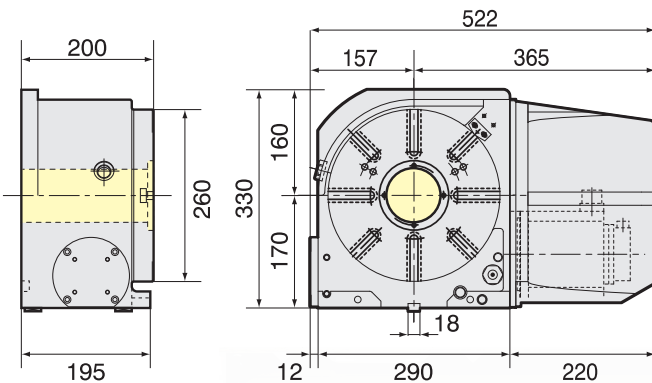
Trunnion Application



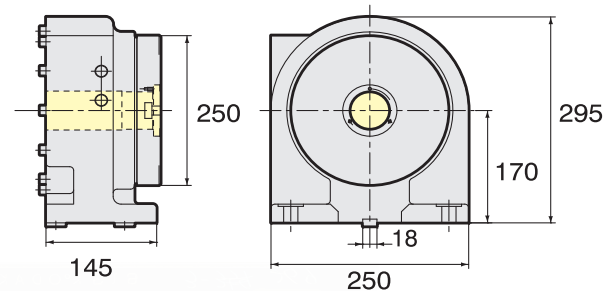
Rotary joint is available (O/P)

- Cylinder type / Max. Number of ports 10+1
- Flange Plate type / Max Number of ports 11

■ DIMENSION : CNC260P with FANUC servomotor



■ DIMENSION : TAT-250N



SPECIFICATIONS

DIAMETER OF TABLE	$\phi 260$	mm
DIAMETER OF SPINDLE HOLE	$\phi 80 H7$, Through	mm
CENTRE HEIGHT	170	mm
WIDTH OF T SLOT	12	mm
CLAMPING SYSTEM	Pneumatic	
CLAMPING TORQUE*	1430	N·m
SERVO MOTOR·ROTATION SPEED	$\alpha iF4 \cdot 3000$	min ⁻¹
MIN. INCREMENT	0.001	°
ROTATION SPEED	25.0	min ⁻¹
TOTAL REDUCTION RATIO	1/120	
INDEXING ACCURACY	20	sec.
NET WEIGHT	115	kg

* Clamping torque 1550Nm can be generated by 0.6MPa air supply.