

5AX-230, 5AX-250

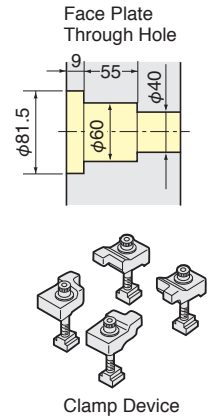
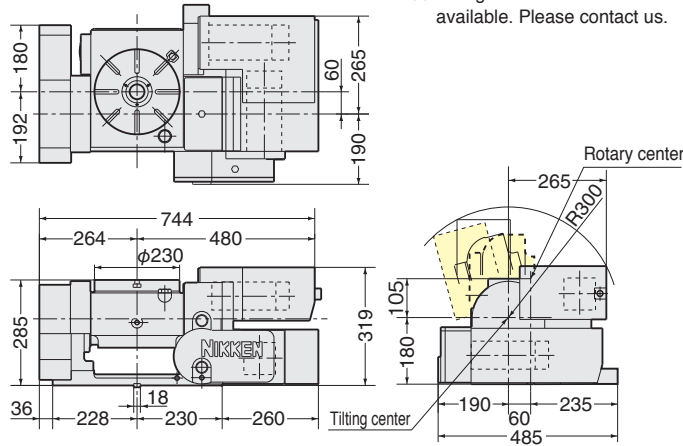


External dimensions depend on the type of the servo motor. Indicated dimensions are in case of FANUC. Please contact us for CAD files (2D:DXF, 3D:PARASOLID).

5AX-230

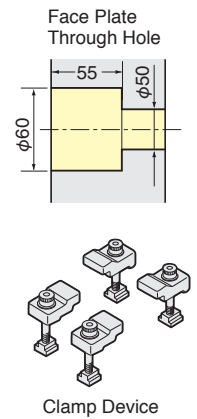
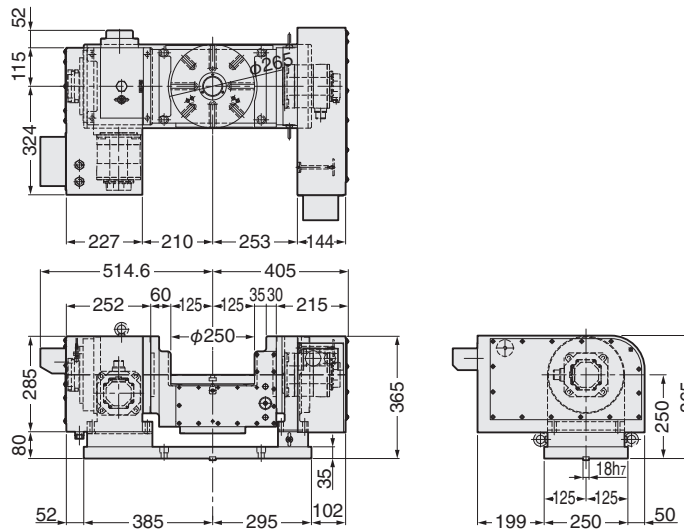
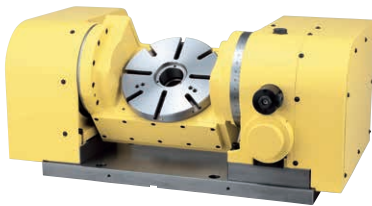


Center socket shown in photo is optional.



Center height of high column table is 75mm higher than that of standard table.

5AX-250



Built-in type 3 ports rotary joint can be attached on standard type as an option.

The Area of Noninterference in Tilting Position.

Example when tilting base is supplied from M/C builder.

Angle	5AX-230	5AX-250
0°		
45°		
90°		
105°		



Tilting Base