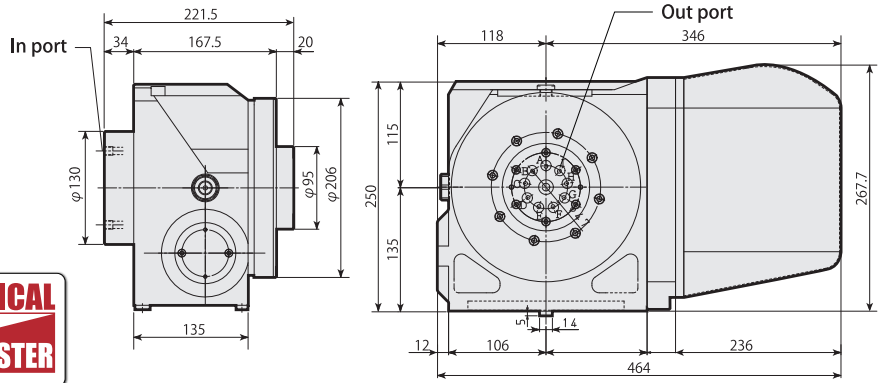


Faceplate diameter: 206mm, Vertical/horizontal use model

RED200

Rotary joint (max. number of ports: 9+1) and Nikken's most powerful pneumatic brake mechanism, named "mechanical booster", can also be mounted.

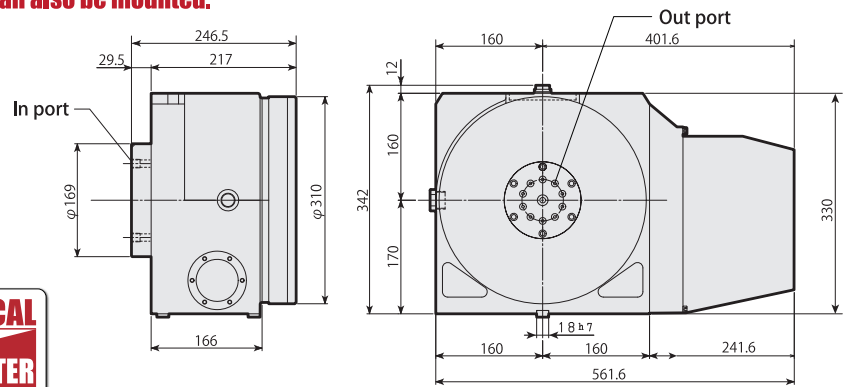


Faceplate diameter: 310mm, Vertical/horizontal use model

★ The photo and figure show the model with optional rotary joint.

RED300

Rotary joint (Max. number of ports: 10+1), Nikken's most powerful pneumatic brake mechanism, named "mechanical booster", can also be mounted.

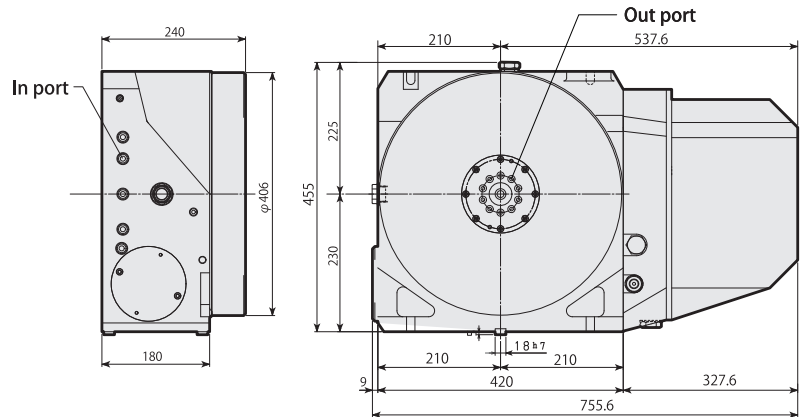


Faceplate diameter: 406mm, Vertical/horizontal use model

★ The photo and figure show the model with optional rotary joint.

RED400

Rotary joint (max. number of ports: 10+1) can be mounted.

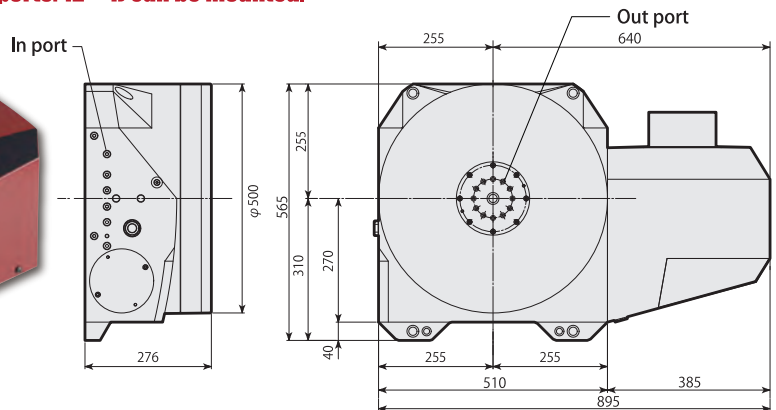
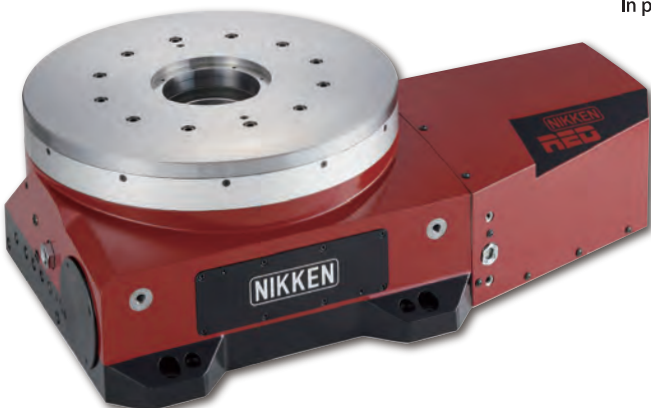


Faceplate diameter: 500mm, horizontal use only model

★ The photo and figure show the model with optional rotary joint.

RED500H

Rotary joints (maximum number of ports: 12 + 1) can be mounted.



★ The figure shows the model with optional rotary joint.